

**Modular Cooking Range Line
 thermaline 85 - 800 mm Holding
 Cabinet with 2 drawers, GN conform, 1
 Side**

ITEM # _____

MODEL # _____

NAME # _____

SIS # _____

AIA # _____



588649 Holding cabinet with 2 drawers, one-side
 (MB0ACAHOBO) operated, GN

Short Form Specification

Item No. _____

800 mm wide holding cabinet with 2 drawers, constructed according to DIN 18860_2 with 70 mm recessed plinth. Internal frame for heavy duty sturdiness in 2 mm and 3 mm in 1.4301 (AISI 304). 2 mm top in 1.4301 (AISI 304). Flat surface construction, easily c

Main Features

- All major components may be easily accessed from the front.
- THERMODUL connection system creates a seamless work top when units are connected to each other thus avoiding soil penetrating vital components and facilitating the removal of units in case of replacement or service.
- Unit constructed according to DIN 18860_2 with 70 mm recessed plinth.
- Temperature in the cupboard can be set through a thermostat to suit different requirements. The maximum temperature is 120°C.
- Equipped with a core temperature probe, suitable also for low temperature cooking.
- Unit can be installed below modular top appliances, designed to keep the food warm, with the capability to cook as well.

Construction

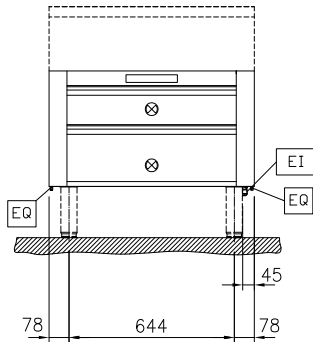
- IPX5 water resistance certification.
- 2 mm top in 1.4301 (AISI 304).
- Flat surface construction with minimal hidden areas to easily clean all surfaces
- Storage space in the base of the appliance accepts GN1/1 containers.
- Internal frame for heavy duty sturdiness in stainless steel.

Optional Accessories

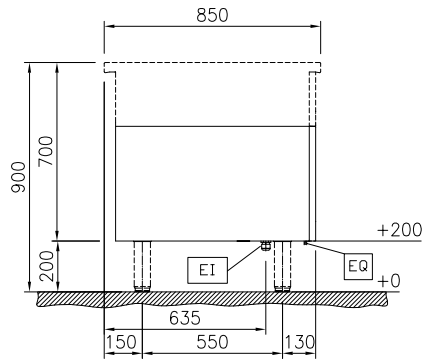
- Stainless steel front kicking strip, 800mm width PNC 912634
- Stainless steel side kicking strip left and right, wall mounted, 850mm width PNC 912659
- Stainless steel side kicking strip left and right, back-to-back, 1700mm width PNC 912662
- Stainless steel side panel (12mm) 850x700mm, right side, against wall PNC 913003
- Stainless steel side panel (12mm) 850x700mm, left side, against wall PNC 913004
- - NOT TRANSLATED - PNC 913261
- - NOT TRANSLATED - PNC 913262
- STAINLESS STEEL DIVIDING PANEL 850X700MM LEFT/RIGHT PNC 913670
- STAINLESS STEEL SIDE COVER PANEL, FLUSH 850X700MM LEFT/RIGHT PNC 913686

APPROVAL: _____

Front

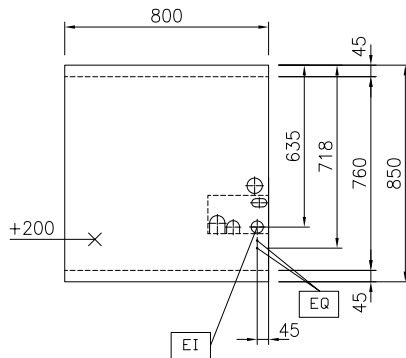


Side



EI = Electrical inlet (power)

Top



Electric

Supply voltage: 230 V/1N ph/50 Hz

Key Information:

External dimensions, Width: 800 mm
 External dimensions, Depth: 850 mm
 External dimensions, Height: 450 mm
 Cupboard Cavity Dimensions (width): 650 mm
 Cupboard Cavity Dimensions (height): 325 mm
 Cupboard Cavity Dimensions (depth): 530 mm
 Cabinet temperature range: 30-120 °C
 Net weight: 44 kg

Sustainability

Current consumption: 4.35 Amps